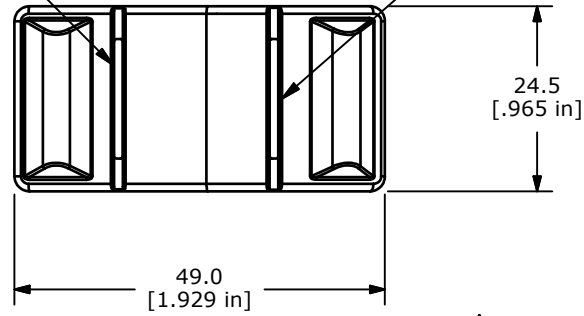
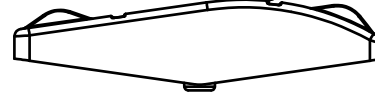


▲ LED ILLUMINATION WINDOW, WHITE

▲ LED ILLUMINATION WINDOW, WHITE



▲ ACTUATOR COLOR: BLACK



NOTES:

1. ALL DIMENSIONS IN MM [INCH]
2. GENERAL TOLERANCE: X.X=±0.4
X.XX=±0.25
- ▲ 3. MATERIAL: PC
4. ▲ DENOTES CRITICAL PARAMETER.
5. 2002/95/EC (ROHS) COMPLIANT



TITLE R7D3BLKW

A	21251	New Release	9/5/13	rc
REV	PCR NO	DESCRIPTION	DATE	BY

SCALE 1:1	DATE 9/3/2013	DR rc	DWG C740012	REV A
--------------	------------------	----------	----------------	----------

THE INFORMATION CONTAINED IN THIS DOCUMENT IS PROPRIETARY TO E-SWITCH AND IS NOT TO BE COPIED OR TRANSFERRED